

**Certification and Approval**

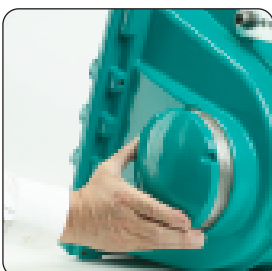
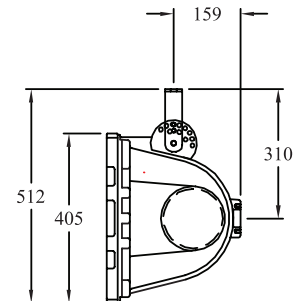
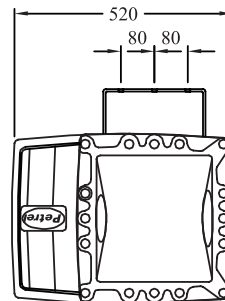
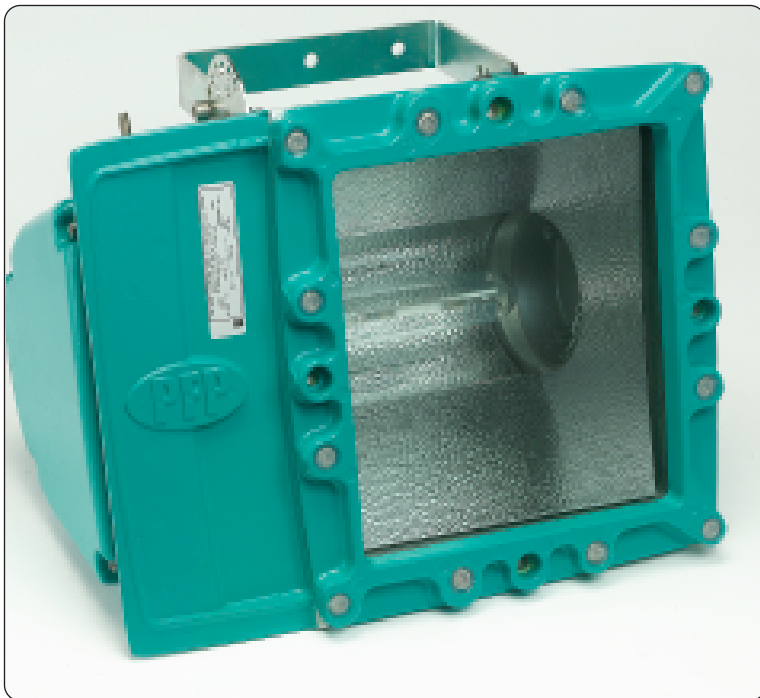
|                        |   |
|------------------------|---|
| Certification Code     | EEx de II 2 GD IIB T2 – T3 (See lamp tables for T rating) |
| Certification number   | SIRA 01 ATEX 1035   |
| Certification standard | EN 60079-0, 1, 7  |
| Protection             | IP 66   |

**Features Options**

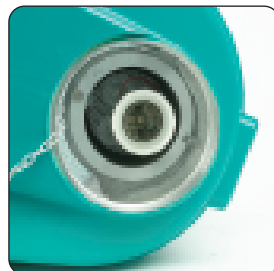
Rapid re – lamping through threaded access cover  
 Narrow/Wide angle beam adjustment  
 Symmetrical reflector as standard  
 Integral EEx e Terminal chamber

Mounting bracket options  
 0.9 power factor when fitted

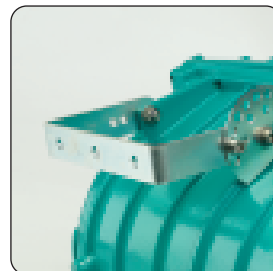
FOR AMBIENT TEMPERATURE “T” RATINGS SEE TABLES AT REAR OF CATALOGUE



Lamp access cover



Beam adjustment



Angular adjustment mounting plate

# Technical Data

|                       |  |
|-----------------------|--|
| Supply Voltage        | 230v 50Hz<br>Check for alternative voltages and frequency.   |
| Operating Temperature | -20°C to +55°C standard supply but subject to lamp, voltage and ambient temperature combinations .   |
| Control Gear          | Integral within the luminaire and optional power factor correction   |
| Lamp Options          | Tubular: SON, MBI, HPMV, Tungsten. Symmetrical reflector fitted to all versions. (Lamps not provided)  |
| Cable Entries         | 2 x M20 – ISO (1 plugged) as Standard<br>Other threads available.  |
| Terminals             | 2 wire and earth. Cable size 6mm <sup>2</sup> max with looping facility  |
| Mounting Facility     | Rear pole mounting directly to body or for adjustable angle version order with “U” shaped stirrup and graduated angle bracket.                             |
| Access                | Terminals accessed via EEx e terminal cover with 4 stainless steel fixings. Lamp change via threaded lamp cover for reduced maintenance time.              |
| Material              | Corrosion resistant marine grade aluminium body and covers and toughened Borosilicate glass.   |
| Finish                | 2 Pack epoxy paint on primed surface.<br>Standard colour - Aqua<br>Additional costs for non standard colours.  |
| Weight                | SON, MBI, HPMV 33Kgs<br>Tungsten 29Kgs   |
| Features              | Adjustable beam width<br>Symmetrical reflector fitted to all versions<br>Heavy Duty construction<br>Directionally adjustable with stirrup mounting bracket |